



SN.

Dr. Jekyll & Mr. Hyde[®]

THE EXHAUST

MANUAL : HARLEY-DAVIDSON[®] | SMARTBOX 2

NEW IN THIS MANUAL:

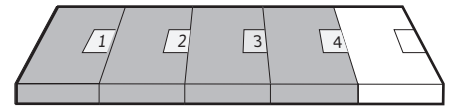
- 2021 MODEL
- PLUG & PLAY POWER CABLE
- O2 SENSOR EXTENDER
- O2 SENSOR CABLE EXTENDER



Streetbob
Low Rider S
2021->

1

Streetbob/ Low Rider S 2021-> Smartbox 2



1 Assembly Kit

CA 2x
TR 16x

2 Smartbox 2

2P
4P
6P

3 Mode Switch for Smartbox

Option 1
Option 2

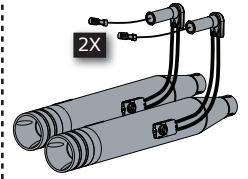
6X
6X

4 Smartbox Power Cable

4X
4A

5 O2 sensor cable extender

Exhaust/Cable /Servo System



2

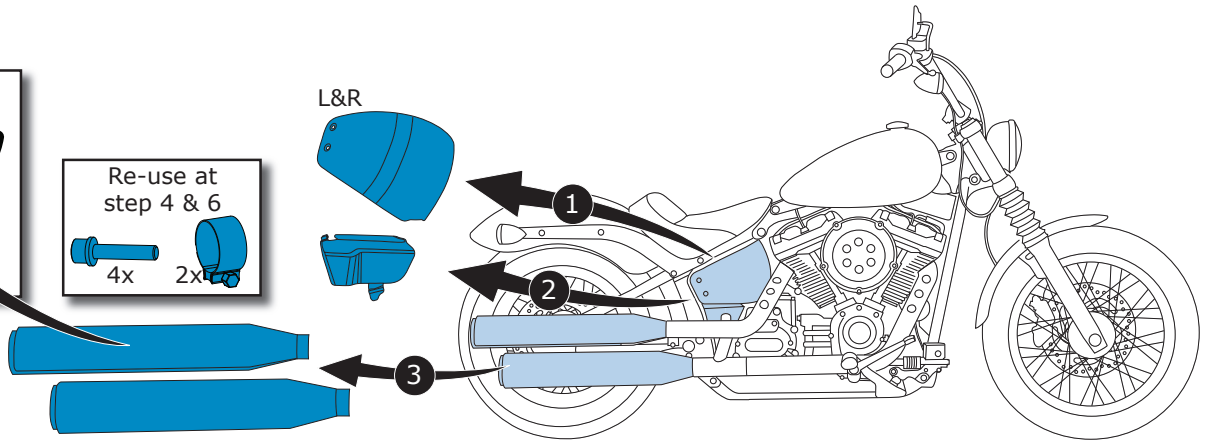
Re-use at step 3

2x

Re-use at step 4 & 6

4x
2x

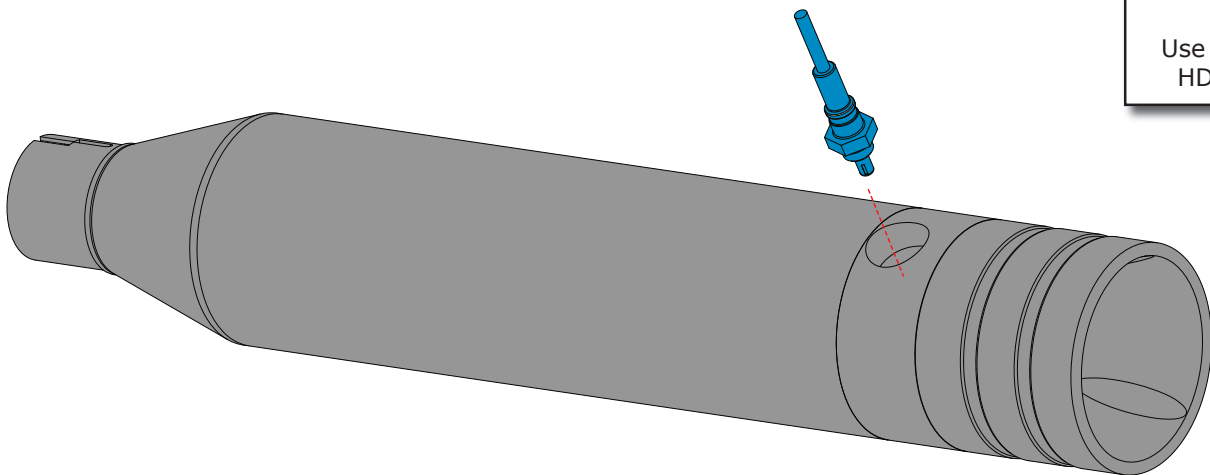
L&R



3

Re-install oxygen sensors Upper- & lower exhaust

Use HD-tool:
HD-52977



OEM

20Nm
15lbf ft

300 km
186 mi

2x

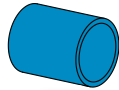


Upper exhaust oxygen sensor = gray
Lower exhaust oxygen sensor = black



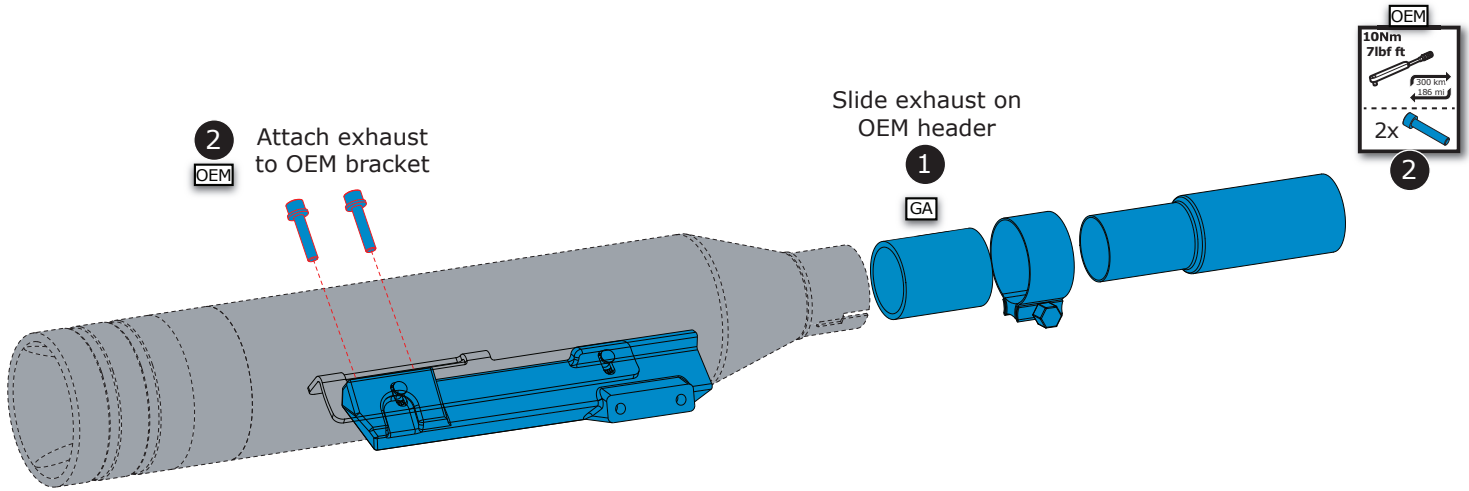
4

Install upper exhaust



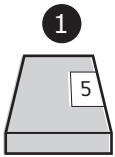
- HD part nr. 65900017

GA
1x



5

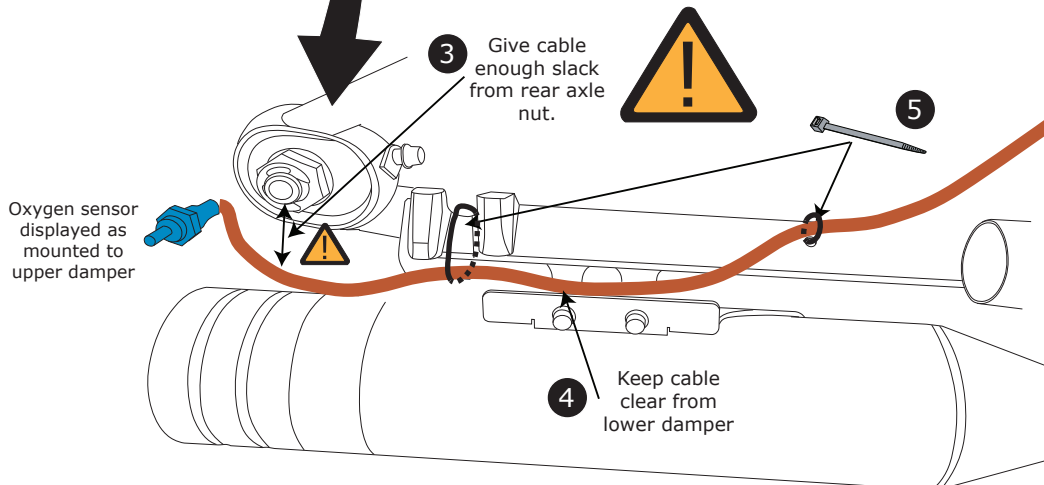
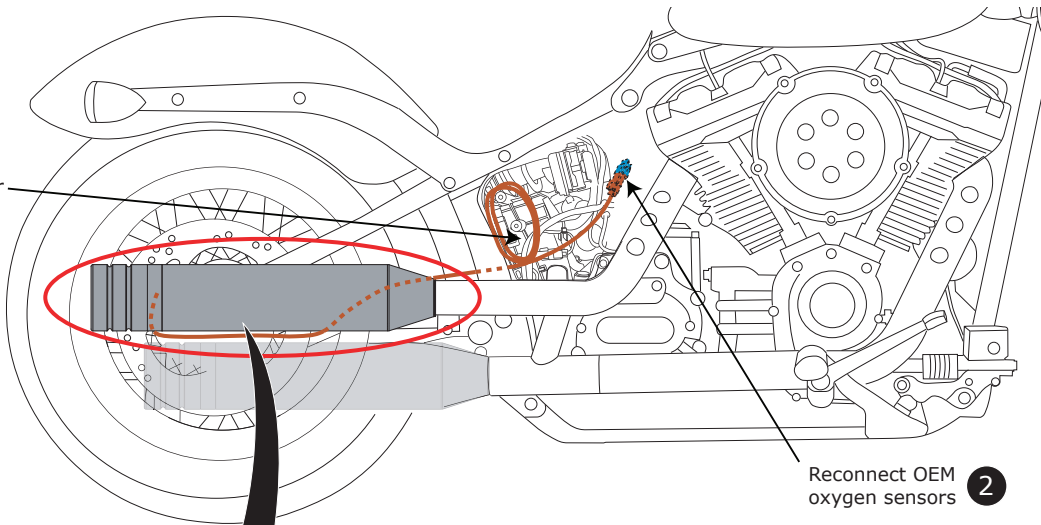
Upper exhaust O2 sensor cable (gray) routing



1

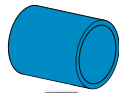
5

Connect J&H Oxygen sensor extension cable for upper exhaust



6

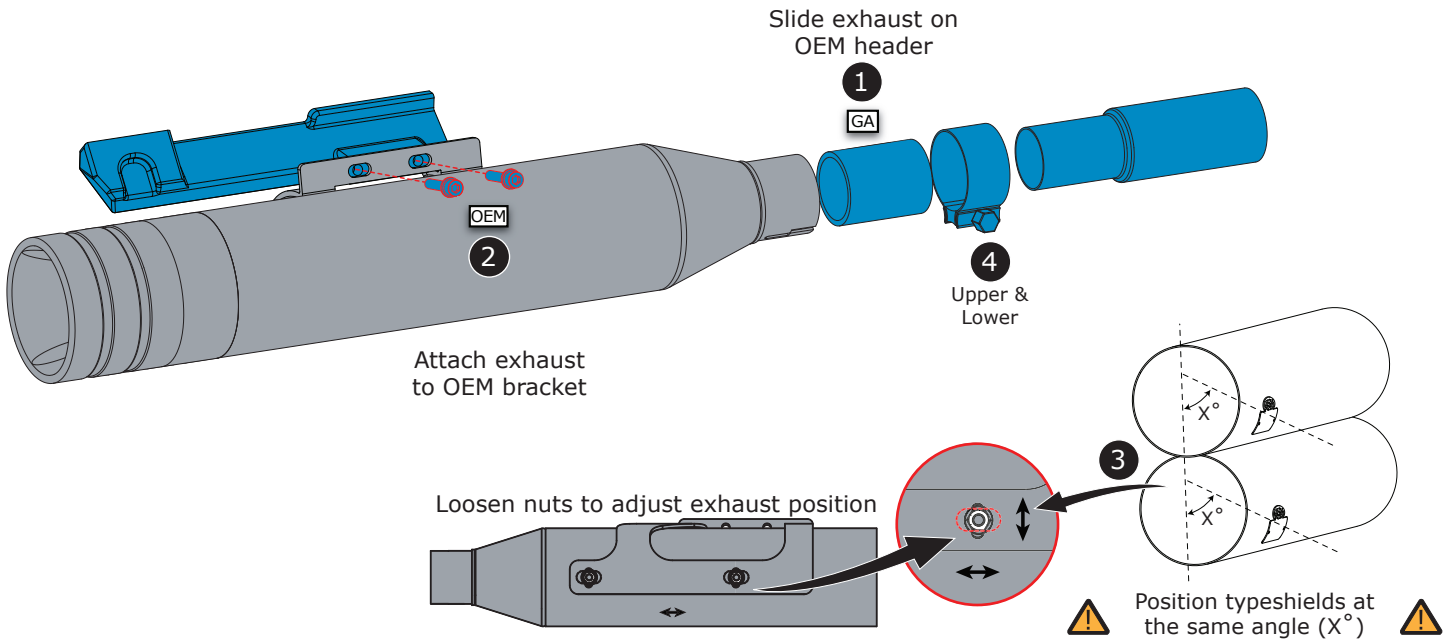
Install lower exhaust



- HD part nr. 65900017

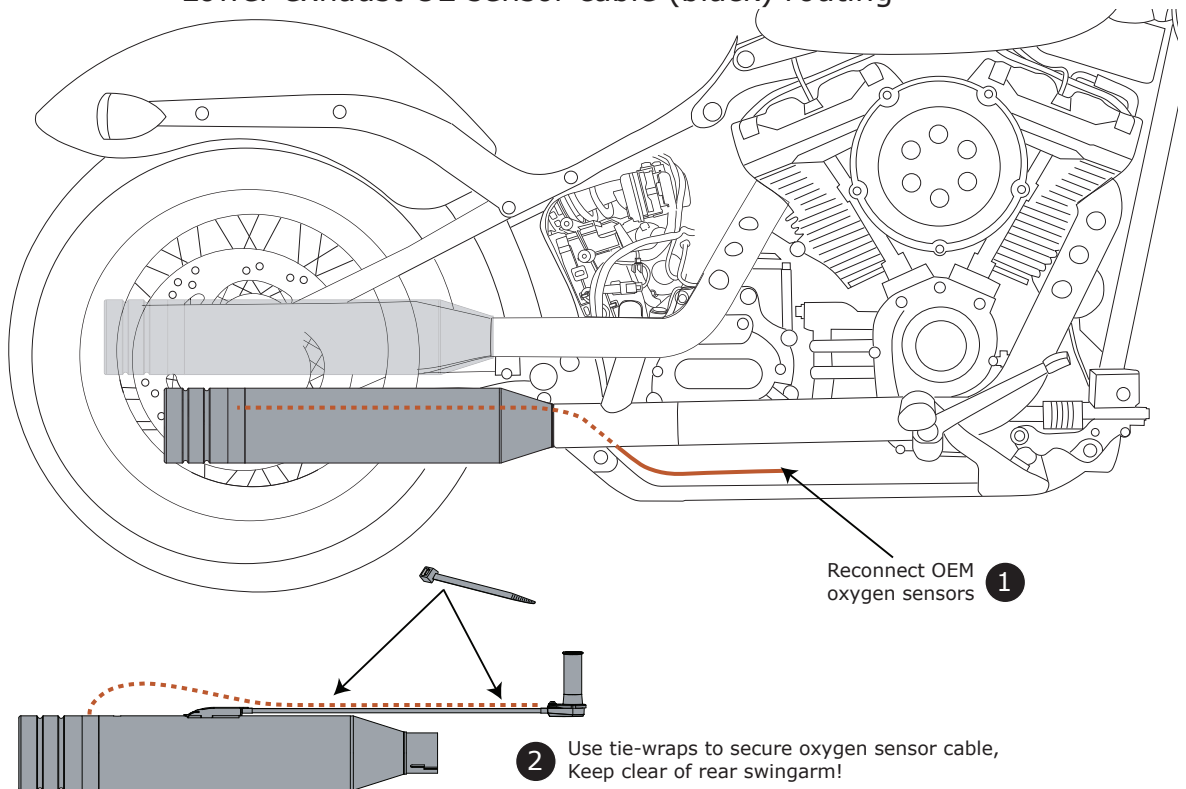
GA
1x

OEM 10Nm 7lbf ft 300 km 186 mi 2x	N1 10Nm 7lbf ft 300 km 186 mi 4x	OEM 30Nm 22lbf ft 300 km 186 mi 2x
2	3	4

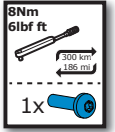
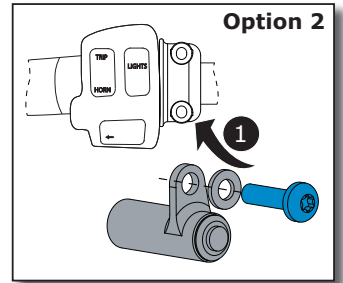
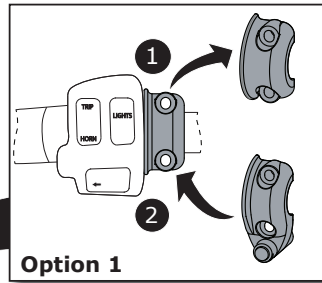
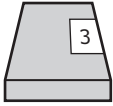


7

Lower exhaust O2 sensor cable (black) routing

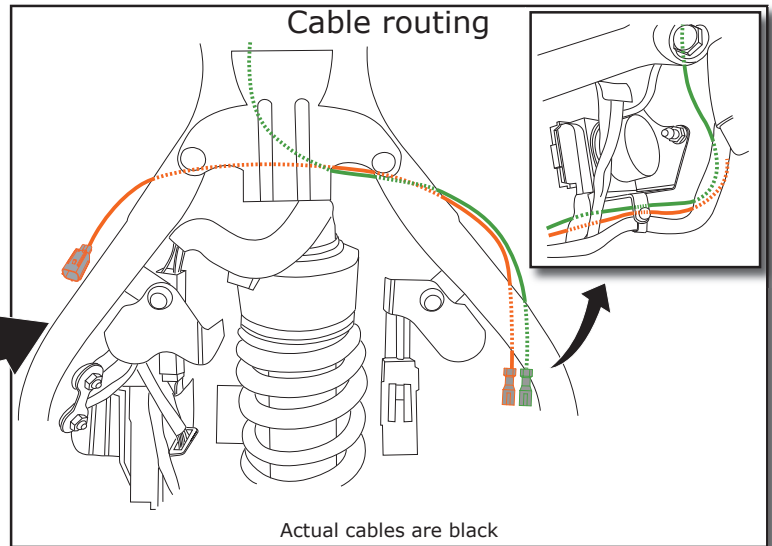
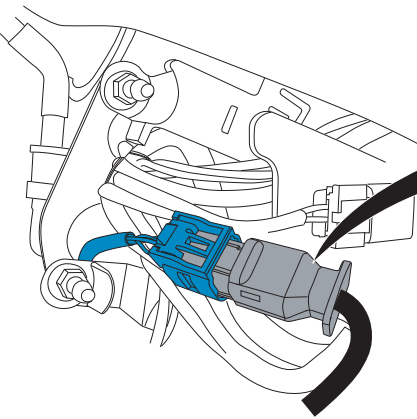
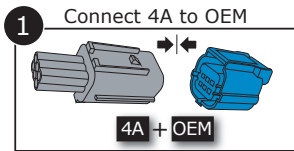
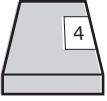
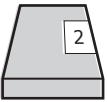


8



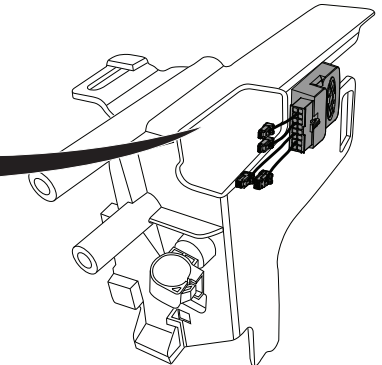
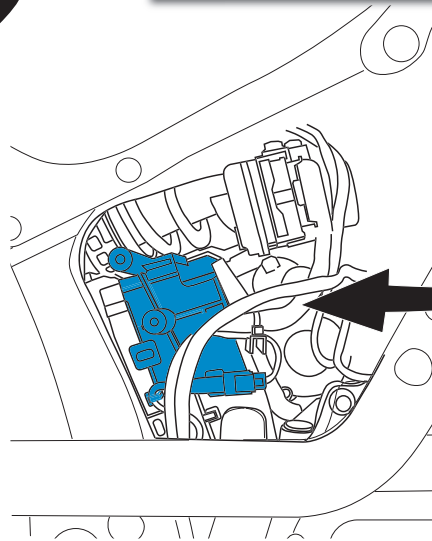
Lift or remove fuel tank to ensure proper cable routing

9



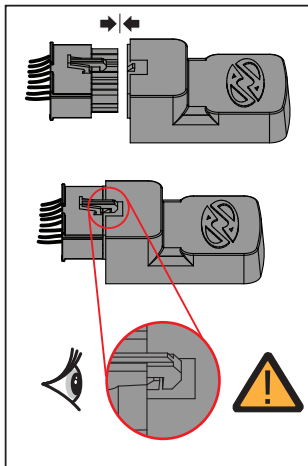
3

Position the smartbox as shown

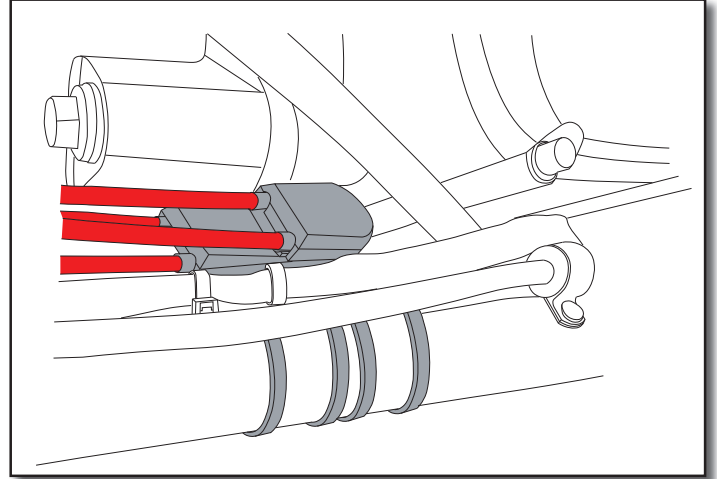
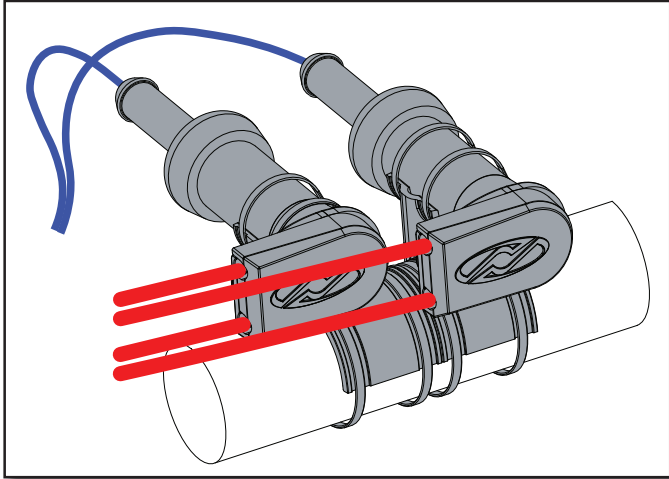
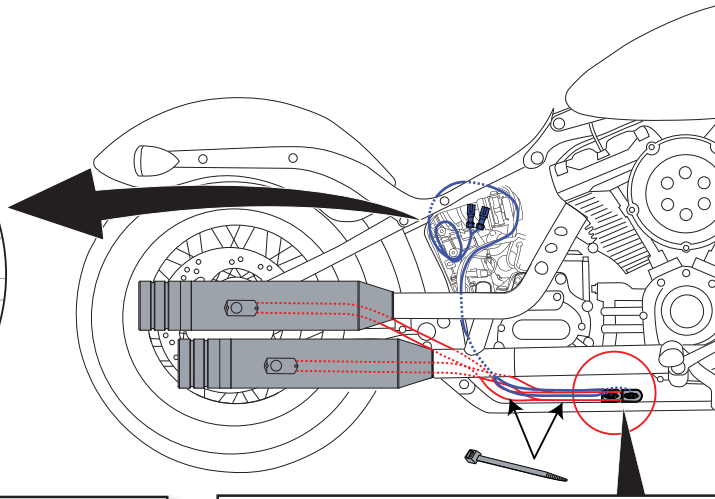
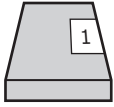


Do not disassemble (image for illustrational purposes)

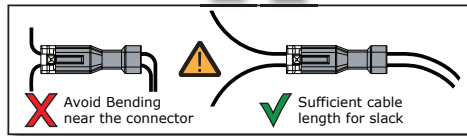
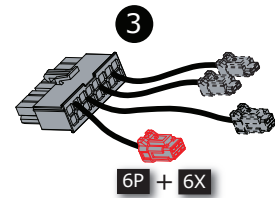
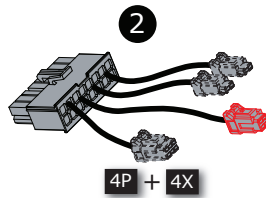
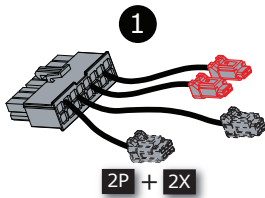
2 Connect cable to smartbox



10



11



12

Complete System Check!

